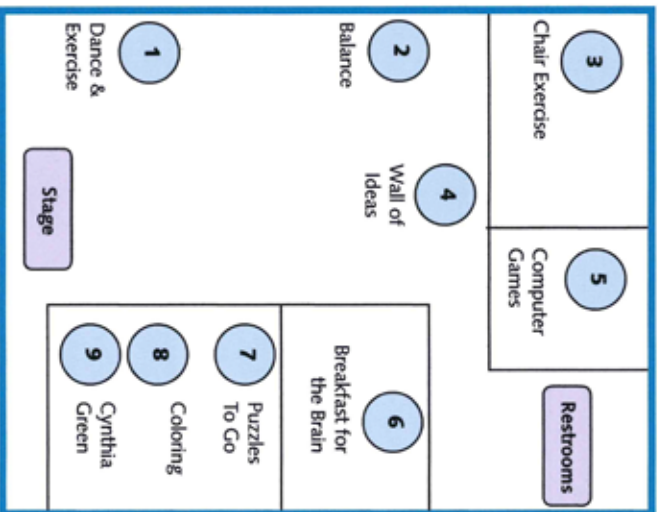


Brain Health Activity Stations & Sponsor Exhibits

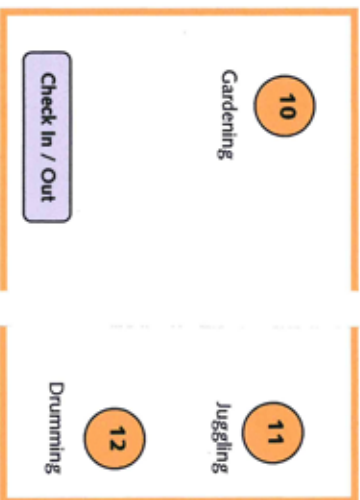
Suzanne Patterson Building



AARP
 Buckingham Place
 Greenwood House
 Princeton Windrows
 Second Wind

Merwick

COURT YARD

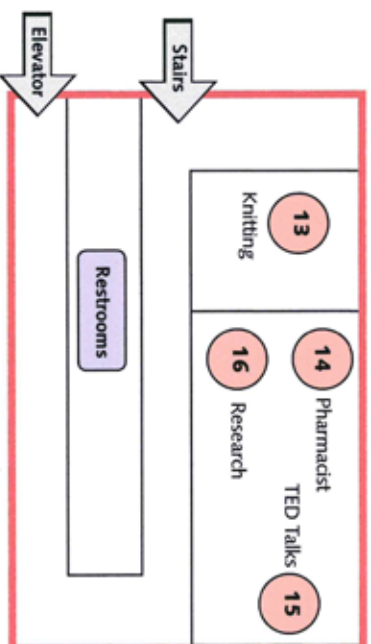


Please visit our sponsors!

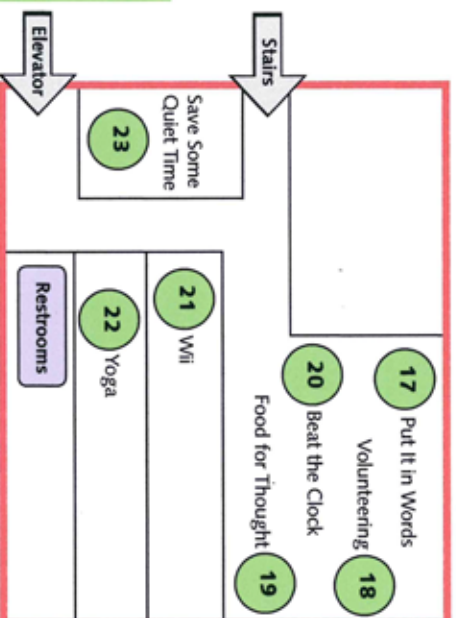
Anderson Insurance
 Brandywine Senior Living
 Care One
 The Financial Planning Answer Place
 Freedom Home Healthcare
 New England Financial
 Medina Law Group
 PNC
 Princeton Healthcare System
 Princeton Medical Institute

Acorn Glen
 Caring Senior Services
 Community Without Walls
 Funeral Consumers Alliance
 Memory Care Living
 Princeton Care Center
 Princeton Fitness & Wellness
 Secure at Home

UPPER LEVEL - Monument Hall



LOWER LEVEL - Monument Hall



CCV CONFERENCE CENTER, WEDNESDAY JUNE 19, 1-4PM

